



FRU

Residential Heat Recovery Unit



FORM

Residential Heat Recovery Unit

FORM, the leading Turkish HVAC company having extensive experience of 58 years in air conditioning market, introduces its innovative and highly energy-efficient Residential Heat Recovery Unit based on its comprehensive knowledge and experience.

FRU Residential Heat Recovery Units are produced in the 20,000 m² new production facility in Izmir - Turkiye.

With the experience and expertise gained from sales, after-sales services and production for many years, FORM has been expanding its product range with its innovative production vision based on R&D.

As a result of these efforts, FORM has developed world-class products in accordance with the needs and demands of the market including fan coils, water source heat pumps, air handling units, inverter compressor water-to-air heat pumps and heat recovery units.

FORM is also producing Rooftop units under license of Lennox company, one of the world's leading airconditioning manufacturers, in it's Izmir production facility.

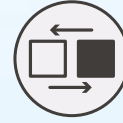
FORM is presenting its new, compact, high efficient, ERP ready residential heat recovery units.



High Efficient EC Radial Fan



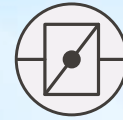
Corrosion Resistant Painted Galvanized Sheet Metal



Alternative Duct Connection Cover



Plastic Counterflow High Efficient Plate Heat Recovery Exchanger



Bypass Damper



Advanced Thermostat and Automation Solutions



One Standard Case Design Providing Right/Left Service Possibility



Fast and Easy Assembly with Unique, Aesthetic, and Ergonomic Design that meets the demands



Filter 2 Class ISO ePM1 55% (F7)



Filter 1 Class ISO Coarse (G4)



Technical Specifications

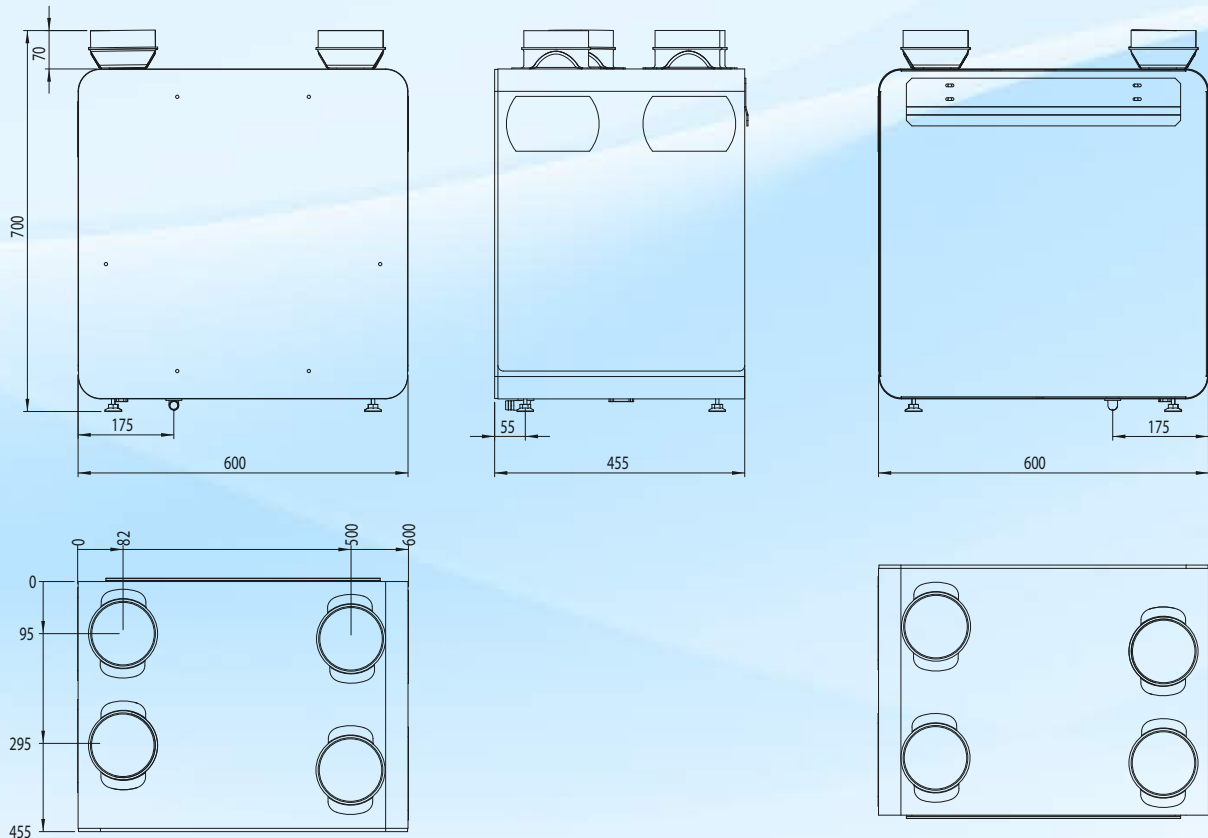
FRU-22

Specific Energy Consumption (SEC ¹)	Average	-37.18
	Warm	-12.66
	Cold	-75.40
Typology		Bidirectional ventilation unit
Type of drive		Variable speed drive
Type of heat recovery system		Recuperative
Thermal efficiency of heat recovery	%	89.26
Maximum flow rate (@100 Pa)	m ³ /h	223
Electric power input at maximum flow rate	W	78.67
Sound power level	L _{WA}	44
Reference flow rate	m ³ /s	0.0434
Reference pressure difference	Pa	50
Specific Power Input (SPI)	W/(m ³ /h)	0.254
Control factor and typology		1/Manual
Declared maximum internal and external leakage rates	%	< 3 - Internal
		< 3 - External
Mixing rate	%	0
Position and description of filter warning		www.formmerkeziklima.com
Internet address for disassembly instructions		www.formmerkeziklima.com
Annual Energy Consumption (AEC ²)	Average	8.4
	Warm	8.0
	Cold	13.8
Annual Heating Saved (AHS ³)	Average	45.6
	Warm	20.6
	Cold	89.2

¹ Specific Energy Consumption [kWh/(m².a)]

² Annual Electricity Consumption [kWh/a electric per year]

³ Annual Heating Saved [kWh fuel gross calorific value per year]



FORM ENDUSTRI URUNLERI

Form Endustri Urunleri is a sales and service company for Central Air Conditioning. The company provides equipment and also helps designers and investors in choosing the right system for their building due to long experience. The main goal is creating high energy efficiency and Green Certified Buildings. The company provides various different kinds of central air conditioning units for any size and type of project. The main equipments are Rooftops, Heat Pumps, Chillers, Cooling Towers, Fancoils, Air Handling units, Heat Recovery and Ventilation systems.

FORM ENDUSTRI URUNLERI TIC. A.S.

Eski Buyukdere Cad. Sumer Sokak No:1B
Ayazaga Ticaret Merkezi Kat:16
Maslak 34398 Istanbul - Turkiye
T : +90 212 286 18 38
F : +90 212 286 66 48
W : www.formmerkeziklima.com

FORM EXPORT DEPARTMENT

E : export@formgroup.com

FORM GROUP COMPANIES

FORM Group Companies, established in 1965, manufacture, import, sell and service Air Conditioning and Industrial systems equipment, to improve the life and manufacturing quality of people and products. FORM Group Companies, offering high energy efficiency and environment friendly system solutions, is one of the leading companies in its field, respecting the environment and the ethical values.



Commercial Air-Conditioning Systems Sales and Service

Eski Buyukdere Caddesi, Sumer Sokak,
No: 1B, Ayazaga Ticaret Merkezi, Kat: 16,
Maslak 34398, Istanbul, Turkey
T : +90 (212) 286 18 38
E : merkeziklima@formgroup.com



VRF-Residential Air-Conditioning Sales and Service

Eski Buyukdere Caddesi, Sumer Sokak,
No: 1B, Ayazaga Ticaret Merkezi, Kat: 12,
34398 Maslak - Istanbul, Turkey
T : +90 (212) 286 08 73
E : mitsubishi@formgroup.com



Industrial Systems Manufacturing, Sales & Service

Kazım Karabekir Mahallesi
Pancar Organize Sanayi Bolgesi, 7. Cadde,
No: 13, Ayrançilar Torbali, Izmir, Turkey
T : +90 (232) 864 21 00
E : formfabrika@formgroup.com

Regional Offices

Adana

Ankara

Antalya

Bursa

Izmir

www.formgroup.com
www.formmerkeziklima.com



Since 1965